

# CP-UNC-TB51ZL6-VMDS-V2

## 5MP Network IR Bullet Camera - 60Mtr.

- 1/2.7" 5MP Progressive CMOS Image Sensor(0.9407Cm)
- Max. Output 5 MP (2592 × 1944)@20fps, 4 MP (2688 × 1520)@25/30fps
- Instastream, Smart H.264, Dual stream encoding
- WDR(120dB), Day/Night(ICR), 3D-NR, ROI, AWB, AGC, BLC
- 2.7mm-13.5mm Motorized Lens
- IR Range of 60 Mtrs.
- Support Starlight Technology
- Micro SD Card, IP67, SMD Plus
- Mobile Software: iCMOB, gCMOB
- CMS Software: KVMS Pro



### System Overview

This camera is ideal for places which suffer from faltering lighting conditions as the starlight solution along with the full colour technology in this camera illuminates the scene perfectly to present to you a clear and vivid image. This series is supported by intelligent functions that use AI-based deep learning algorithms which enable effective perimeter protection and smart motion detection for easier surveillance.

### Functions

#### Smart Motion Detection (SMD Plus)

CPPLUS has introduced Smart Motion Detection, AI-based SMD, which use an advanced algorithm to differentiate human and vehicular shapes within a scene and send alarms only when a person or vehicle is detected.



# CP-UNC-TB51ZL6-VMDS-V2

## 5MP Network IR Bullet Camera - 60Mtr.

### Functions

#### Starlight Technology

This camera is widely used to provide sharper and clearer picture quality with the help of its exceptional starlight sensitivity as the camera improves night vision in low light conditions. This technology is useful in conditions with extremely low light as the starlight technology turns almost completely dark images into those of clear colors.

#### Wide Dynamic Range (WDR)

When a scene is partly dark and partly bright, that is the dynamic range that distorts images due to this difference in the lighting. WDR technology provides you balanced lighting for a clear and vivid image throughout the day. WDR technology can be installed at entry/exit points of any building structure, jewelry shops, outdoor location among so many other places.

#### Smart Analytical

Support Using an advanced algorithm, smart analytical technology lets you set a multitude of safety parameters and sends you alerts when any of those parameters have been compromised. Not just when there's an occurrence of trip-wire or intrusion.

#### True Day/Night

When the scene is too dark, the image is captured by illuminating an infrared light through the camera onto the scene that greatly helps with making the scene visible for the lens. It delivers color images during the day and automatically switches to the monochrome feature as the scene darkens.

### About CP PLUS

The brand that is on its way to lead the world when it comes to the security and surveillance industry, CP PLUS, keeps bombarding the market with the most reliable range of products that have been designed carefully and methodically to automate the whole surveillance and security process, no matter how big your premises are.

It was the initiative to help the public in the area where they are the most vulnerable and to empower the sense of safety in our hearts that had conceptualized CP PLUS. And embarking on its mission to make the world a safer and more secure place has taken the brand's journey to unprecedented levels even when compared to international competitors.



## CP-UNC-TB51ZL6-VMDS-V2

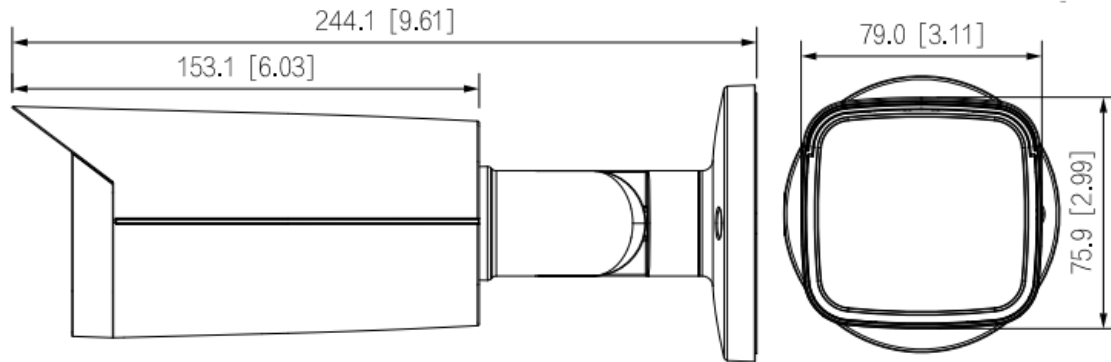
### 5MP Network IR Bullet Camera - 60Mtr.

Feature	Specification
Image Sensor	1/2.7" 5MP Progressive scan CMOS(0.9407Cm)
Effective Pixels	2592 (H) × 1944 (V)
Minimum Illumination	0.005 lux@F1.5(Color, 30 IRE) 0.0005 lux@F1.5(B/W, 30 IRE) 0 lux (Illuminator on)
Shutter Speed	Auto/Manual, 1/3s~1/100000s
ROM	128MB
RAM	512MB
Max. Aperture	F1.5
Lens Mount	φ14
Gain Control(AGC)	Auto/Manual
Lens Type	Motorized lens
Iris Type	Fixed
Lens	2.7 mm–13.5 mm
Close Focus Distance	0.8m
DORI Distance	W: 64.4m(Detect) 25.8m(Observe) 12.9m(Recognize) 6.4m(Identify) T: 221.4m(Detect) 88.6m(Observe) 44.3m(Recognize) 22.1m(Identify)
White Balance	Auto/ natural/ street lamp/ outdoor/ manual/ regional custom
Back Light Compensation	BLC / HLC / WDR(120dB)
Stream Capability	2 Streams
Video Compression	H.265; Smart H.264+; H.264; H.264H; H.264B; MJPEG (Only supported by the sub stream)
Encode Strategy	Instastream
Pan,Tilt, Rotation	Pan: 0°–360° Tilt: 0°–75° Rotation: 0°–360°
Angle of View	H: 100°–30° V: 72°–23° D: 134° –38
Smart search	Work together with Smart NVR to perform refine intelligent search, event extraction and merging to event videos
S/N Ratio	>56 dB

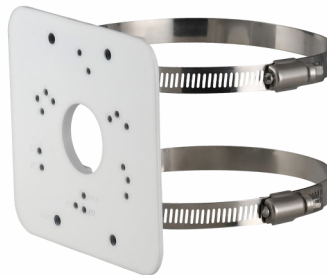
Feature	Specification
Resolution	5M (2592 × 1944); 4M (2688 × 1520); 3M (2304 × 1296); 1080p (1920 × 1080); 1.3M (1280 × 960); 720p (1280 × 720); D1 (704 × 576/704 × 480); VGA (640 × 480); CIF (352 × 288/352 × 240)
Frame Rate	Main stream: 2592 × 1944@(1–20 fps)/2688 × 1520@(1–25/30 fps) Sub stream: 704 × 576@(1–25 fps)/704 × 480@(1–30 fps)
Noise Reduction	3D NR
Motion detection	OFF/ON (4 areas, rectangular)
Privacy Mask	4 areas
ICR	Auto (ICR)/Color/B/W
ROI	Supported (4 areas)
Bit Rate Control	CBR/VBR
Bit Rate	H.264: 3 kbps–8192 kbps H.265: 3 kbps–8192 kbps
Protocol	IPv4; IPv6; HTTP; TCP; UDP; ARP; RTP; RTSP; RTCP; RTMP; SMTP; FTP; SFTP; DHCP; DNS; DDNS; QoS; UPnP; NTP; Multicast; ICMP; IGMP; NFS; SAMBA; PPPoE; SNMP ONVIF (Profile- S,G,T); CGI; InstaOn Cloud, Milestone
SDK and API	Supported
Abnormality detection	Motion detection, video tampering, scene changing, audio detection, no SD card, SD card full, SD card error, network disconnection, IP conflict, illegal access, and voltage detection
Ethernet	RJ-45 (10/100Base-T)
Event Trigger	No SD card; SD card full; SD card error; network disconnection; IP conflict; illegal access; motion detection; video tampering; intrusion; tripwire; scene changing; audio detection; voltage detection; defocus detection; external alarm; SMD; safety exception
Cyber Security	Video encryption; firmware encryption; configuration encryption; Digest; WSSE; account lock-out; security logs; IP/MAC filtering; generation and importing of X.509 certification; syslog; HTTPS; 802.1x; trusted boot; trusted execution; trusted upgrade
Perimeter Protection	Intrusion, Tripwire (the two functions support the classification and accurate detection of vehicle and human)
Image Rotation	0°/90°/180°/270° (Support 90°/270° with 1080p resolution and lower)
SMD Plus	Supported

Feature	Specification
IR	IR Range of 60 Mtr.
IR Control	Auto; Manual
IR Number	4 (IR LED)
Scene Self-adaptation (SSA)	Supported
Audio Input	1 Ch. (RCA port)
Audio Output	1 Ch.(RCA port)
Audio Compression	G.711a; G.711Mu; PCM; G.726; G.723
Alarm IN	1 Ch. in: 5 mA 3–5 VDC
Alarm Out	1Ch. Out: 300mA 12VDC
Mirror Function	Supported
Storage	FTP, SFTP, NAS
Micro SD	Mirco SD card (Max. 256GB)
User/Host	20 (Total Bandwidth: 64M)
Browser	IE,Chrome, Firefox
Smart Phone	iPhone, iPad, Android Phone
Weatherproof Standard	IP67
Operating Temperature	–30 °C to +60 °C (–22 °F to +140 °F)
Storage Temperature	–40 °C to +60 °C (–40°F to +140°F)
Humidity	≤95%
Power Source	12V DC/PoE(802.3af)
Power Consumption	Basic: 3.3 W (12 VDC); 4.2 W (PoE) Max(WDR + IR intensity + Intelligence on): 7.8 W (12 VDC); 9.7 W (PoE)
Casing	Metal
Dimension	244.1 mm × 79.0 mm × 75.9 mm(L × W × H)
Weight	820g

Dimensions (mm/inch)



Accessories: Optional



**CP-UA-B2P  
Pole Mount**

**Company Name:**

CP PLUS (Aditya Infotech Ltd.)  
F-28 Okhla Industrial Area, Phase 1,  
New Delhi 110020, INDIA

**Contact Mail ID :-** [customercare@cpplusworld.com](mailto:customercare@cpplusworld.com)