

CP-UNC-TC51ZL6C-VMDS-V2

5MP WDR Network IR Bullet Camera - 60 Mtr.

- 1/2.7" 5MP PS CMOS Image Sensor (0.9407 centimeters)
- AI Instastream, Instastream and H.265 triple-stream encoding
- Outputs max. 5MP (2960 × 1668) @20fps and supports 4MP (2688 × 1520) @25/30fps
- WDR(120dB), Day/Night (ICR), 3D-DNR, EIS, Defog, ROI, AWB, AGC, BLC, HLC
- IR Range of 60 Mtrs.
- 2.7mm- 13.5mm Motorized Lens
- Support Starlight Function
- Support Built-in Mic, SMD 4.0, AI SSA
- Support Micro SD Card, IP67, IK10 (optional), PoE
- Mobile Software: iCMOB, gCMOB
- CMS Software: KVMS Pro



System Overview

This Series has gathered a lot of fame over the years for its eminent capabilities on top of its artful appearance which lets it mix in any background. This series entails a wide range of easily-mountable solutions that have been crafted with the IR Megapixel technology that delivers resolutions varying from 2MP to 8MP depending on your choice of products. This Series comes with a varifocal lens/motorized/fixed lens and is absolutely pocket-friendly, which makes it the best choice for a number of small and mid-size places.

Functions

Starlight Technology

This camera is widely used to provide sharper and clearer picture quality with the help of its exceptional starlight sensitivity as the camera improves night vision in low light conditions. This technology is useful in conditions with extremely low light as the starlight technology turns almost completely dark images into those of clear colors.



CP-UNC-TC51ZL6C-VMDS-V2

5MP WDR Network IR Bullet Camera - 60 Mtr.

Functions

Wide dynamic range (WDR)

When a scene is partly dark and partly bright, that is the dynamic range that distorts images due to this difference in the lighting. WDR technology provides you balanced lighting for a clear and vivid image throughout the day. WDR technology can be installed at entry/exit points of any building structure, jewellery shops, outdoor location among so many other places .

Smart Analytical Support

Using an advanced algorithm, smart analytical technology lets you set a multitude of safety parameters and sends you alerts when any of those parameters have been compromised. Not just when there's an occurrence of tripwire or intrusion.

Instastream

This camera has been designed with the latest and most efficient innovation among the standard video compression designs. Smart encoding algorithms developed by CP PLUS help in saving up to 70% more bandwidth than H.265 along with making it more beneficial for minimizing bandwidth and storage costs. It enhances video coding efficiency while providing high resolution and the rate of frame in the video using Intelligent Region Perception to detect motion in each frame.

True Day/Night (ICR)

When the scene is too dark, the image is captured by illuminating an infrared light through the camera onto the scene that greatly helps with making the scene visible for the lens. It delivers color images during the day and automatically switches to the monochrome feature as the scene darkens.

Regions of Interest

Regions of Interest (ROI) is a user defined feature that allows the operator to monitor specific areas of a scene while still maintaining overall situational awareness of less important areas.

gCMOB/ iCMOB

Designed to allow users to access and control live streaming from CP PLUS IP Cameras, DVRs/ NVRs and Video Door Phones, the CP PLUS gCMOB/ iCMOB application offers a host of features such as Easy GUI, up to 16 live viewing split-ups; InstaOn cloud support; Playback; digital zoom ins; two-way talk, and more.

About CP PLUS

The brand that is on its way to lead the world when it comes to the security and surveillance industry, CP PLUS, keeps bombarding the market with the most reliable range of products that have been designed carefully and methodically to automate the whole surveillance and security process, no matter how big your premises are.

It was the initiative to help the public in the area where they are the most vulnerable and to empower the sense of safety in our hearts that had conceptualized CP PLUS. And embarking on its mission to make the world a safer and more secure place has taken the brand's journey to unprecedented levels even when compared to international competitors.



CP-UNC-TC51ZL6C-VMDS-V2

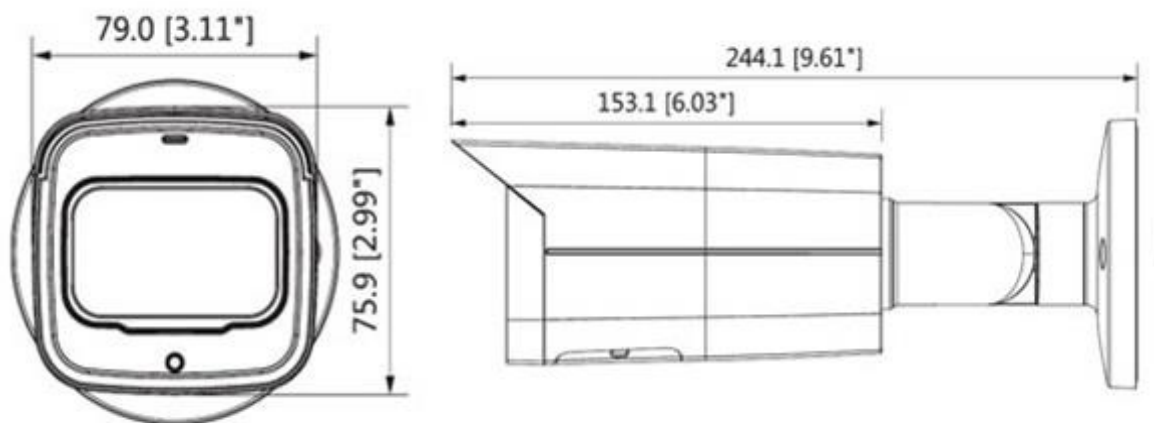
5MP WDR Network IR Bullet Camera - 60 Mtr.

Feature	Specification
Image Sensor	1/2.7" 5Megapixel progressive CMOS (0.9407 centimeters)
Minimum Illumination	0.005 lux@F1.3 (Color, 30 IRE) 0.0005 lux@F1.3 (B/W, 30 IRE) 0 lux (IR on)
Effective Pixels	2960 (H) × 1668 (V)
Shutter Speed	Auto/Manual, 1/3 s~1/100000s
White Balance	Auto/natural/street lamp/outdoor/manual/regional custom
Lens	2.7mm~13.5mm Motorized
Mount Type	φ14
Max. Aperture	F1.3
Iris Control	Fixed
DORI Distance	W- 64.0m (Detect) 25.6m (Observe) 12.8m (Recognize) 6.4m (Identify) T- 210.0m (Detect) 84.0m (Observe) 42.0m (Recognize) 21.0m (Identify)
Gain Control (AGC)	Auto/Manual
Close Focus Distance	0.3 m
S/N Ratio	>56dB
Video Compression	H.265; Smart H.264+; H.264; H.264H; H.264B; MJPEG (only supported by the sub stream)
Encode Strategy	AI Instastream, Instastream
Angle of View	Horizontal: 99°-28° Vertical: 71° -21° Diagonal: 134° -35°
Back Light Compensation	BLC / HLC / WDR(120dB)
Video Streaming	Main stream: 2880 × 1620@(1-20)fps/ 2960 × 1668 @(1-20)fps/ 2688 × 1520@(1-25/30fps) Sub stream 1: 704 × 576 @ (1-25fps)/ 704 × 480 @(1-30fps) Sub stream 2: 1920 × 1080@(1-25/30fps) *The values above are the max. frame rates of each stream; for multiple streams, the values will be subjected to the total encoding capacity
Mirror	Yes

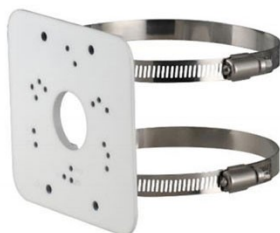
Feature	Specification
Resolution	5M (2880 × 1620/2960 × 1668); 4M (2688 × 1520); 3.6M (2560 × 1440); 3M (2048×1536); 3M (2304×1296); 1080p (1920 × 1080); 1.3M(1280 × 960); 720p (1280 × 720); D1 (704 × 576/704×480); CIF (352 × 288/352 × 240); VGA (640 × 480)
Corridor Mode	Support
Digital Zoom	16x
Motion detection	OFF/ON (4 areas, rectangular)
Privacy Mask	4 areas
ICR	Auto (ICR)/Color/B/W
ROI	Yes (4 areas)
Audio Input	1 channel (RCA port)
Audio Output	1 channel (RCA port)
Audio	Built-in Mic
Audio Compression	G.711a; G.711Mu; PCM; G.726; G.723
Alarm IN	1 channels in: 5mA 3V–5V DC
Alarm Out	1 channels out: 300mA 12V DC
Bit Rate	H.264: 3 Kbps–8192 Kbps H.265: 3 Kbps–8192 Kbps
Protocol	IPv4; IPv6; HTTP;TCP; UDP; ARP; RTP; RTSP; RTCP; RTMP; SMTP; FTP; SFTP; DHCP; DNS; DDNS; QoS; UPnP; NTP; Multicast; ICMP; IGMP; NFS; SAMBA; PPPoE; SNMP; ONVIF (Profile S/Profile G/Profile T); CGI; InstaOn; Milestone; Genetec
Cyber Security	Video encryption; firmware encryption; configuration encryption; Digest; WSSE; account lockout; security logs; IP/MAC filtering; generation and importing of X.509 certification; syslog; HTTPS; 802.1x; trusted boot; trusted execution; trusted upgrade
SDK and API	Yes
Scene Self-adaptation (SSA)	Yes
Smart Detection	Tripwire, intrusion (support the classification and accurate detection of vehicle and human)
Intelligent Search	Work together with Smart NVR to perform refine intelligent search, event extraction and merging to event videos
AI SSA	Yes
AFSA	Yes

Feature	Specification
Quick Pick	With AI NVR, quickly pick up the human/vehicle targets that users are interested in from SMD events
OTA (Online Device Upgrade)	Support
Cloud Health Monitoring System (HMS)	Support
Image Stabilization	Electronic Image Stabilization (EIS)
Alarm Event	No SD card; SD card full; SD card error; service life warning (only supported by CP Plus card); network disconnection; IP conflict; illegal access; motion detection; video tampering; intrusion; tripwire; scene changing; audio detection; voltage detection; defocus detection; external alarm; SMD; safety exception
Ethernet	RJ-45 (10/100Base-T)
User/Host	20 (Total bandwidth: 64 M)
Smart Phone	iPhone, iPad, Android Phone
IR	IR Range of 60 Mtr., Smart IR
No of IR LEDs	4
Browser	IE: IE11, Chrome, Firefox
Micro SD	FTP; SFTP; Micro SD card (support max. 256GB); NAS
Operating Temperature	-30°C to +60°C (-22°F to +140°F)
Storage Temperature	-40°C to +60°C (-40°F to 140°F)
Humidity	Less than 95% RH
Power Source	12 VDC/PoE (802.3af)
Power Consumption	Basic: 2.8 W (12 VDC); 3.4 W (PoE) Max. (WDR + IR intensity + Intelligence): 7.4W (12 VDC); 8.5 W (PoE)
Weatherproof Standard	IP67, IK10 (optional)
Casing	Metal
Dimension	244.1 mm × 79.0 mm × 75.9 mm (L × W × H)
Weight	820 g

Dimensions (mm/inch)



Accessories : Optional



CP-UA-B2P
Pole Mount

Company Name:

CP PLUS (Aditya Infotech Ltd.)
F-28 Okhla Industrial Area, Phase 1,
New Delhi 110020, INDIA

Contact Mail ID :- customercare@cpplusworld.com