

CP-UNC-VE51ZL8E-VMDS

5MP WDR IR Network Vandal Dome Camera - 80Mtr.

- 1/2.7" 5Megapixel PS CMOS Image Sensor (0.9407 centimeters)
- Instastream/ H.265/ Smart H.264+/H.264 triple-stream encoding
- Max 20fps@(2592 × 1944), 50/60fps@1080P(1920 × 1080)
- WDR(120dB), Day/Night (ICR), 3D-DNR, Defog, ROI, AWB, AGC, BLC, HLC
- IR Range of 80 Mtrs.
- 7mm–35mm Motorized lens
- Support Starlight Technology
- Support SMD Plus
- Support Micro SD Card, IP67, IK10, ePoE, PoE
- Mobile Software: iCMOB, gCMOB
- CMS Software: KVMS Pro



System Overview

Understanding the need of the hour in the security and surveillance industry, this series has been integrated with the starlight technology along with efficient and powerful deep-learning algorithms to make your life hugely easier. The numerous AI-based smart functions of this camera let you capture a face, protect the perimeter and even count people, greatly improving the accuracy of your video analysis. This camera also complies with international certification standards such as IP67 and IK10, as this camera is not just dust-proof and water-proof but also shock-proof and vandal-proof (which is given in selected models).

Functions

Face Detection

With the help of the deep learning algorithm that is used in this technology, people can easily be detected, tracked, recorded, and captured. It takes only a second to detect one human face. Face detection is useful in cameras to help with auto-focus. This technology is mainly used to identify the presence of a human face.



CP-UNC-VE51ZL8E-VMDS

5MP WDR IR Network Vandal Dome Camera - 80Mtr.

Functions

Wide Dynamic Range (WDR)

When a scene is partly dark and partly bright, that is the dynamic range that distorts images due to this difference in the lighting. WDR technology provides you balanced lighting for a clear and vivid image throughout the day. WDR technology can be installed at entry/exit points of any building structure, jewellery shops, outdoor location among so many other places.

Live Viewing

Unlike some, this technology enables you to record the picture feed but view it live as well at your convenience. On top of that, the advantages of high-resolution video recording are numerous.

Smart Analytical Support

Using an advanced algorithm, smart analytical technology lets you set a multitude of safety parameters and sends you alerts when any of those parameters have been compromised. Not just when there's an occurrence of tripwire or intrusion, but also in the cases of missing or abandoned objects.

True Day/Night (ICR)

When the scene is too dark, the image is captured by illuminating an infrared light through the camera onto the scene that greatly helps with making the scene visible for the lens. It delivers color images during the day and automatically switches to the monochrome feature as the scene darkens.

Instastream

This camera has been designed with the latest and most efficient innovation among the standard video compression designs. Smart encoding algorithms developed by CP PLUS help in saving up to 70% more bandwidth than H.265 along with making it more beneficial for minimizing bandwidth and storage costs. It enhances video coding efficiency while providing high resolution and the rate of frame in the video using Intelligent Region Perception to detect motion in each frame.

gCMOB/ iCMOB

Designed to allow users to access and control live streaming from CP PLUS IP Cameras, DVRs/ NVRs and Video Door Phones, the CP PLUS gCMOB/ iCMOB application offers a host of features such as Easy GUI, up to 16 live viewing split-ups; InstaOn cloud support; Playback; digital zoom ins; two-way talk, and more.

About CP PLUS

The brand that is on its way to lead the world when it comes to the security and surveillance industry, CP PLUS, keeps bombarding the market with the most reliable range of products that have been designed carefully and methodically to automate the whole surveillance and security process, no matter how big your premises are.

It was the initiative to help the public in the area where they are the most vulnerable and to empower the sense of safety in our hearts that had conceptualized CP PLUS. And embarking on its mission to make the world a safer and more secure place has taken the brand's journey to unprecedented levels even when compared to international competitors.



CP-UNC-VE51ZL8E-VMDS

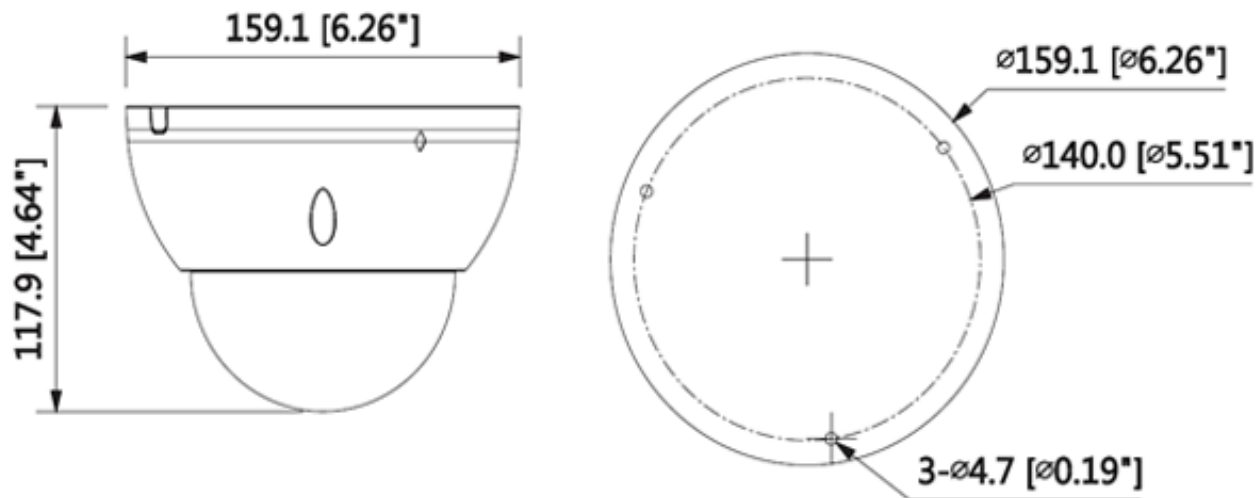
5MP WDR IR Network Vandal Dome Camera - 80Mtr.

Feature	Specification
Image Sensor	1/2.7" 5Megapixel progressive CMOS (0.9407 centimeters)
Minimum Illumination	0.003 lux@F1.3 (Color, 30I RE) 0.0003 lux@F1.3 (B/W, 30I RE) 0 lux (IR on)
RAM/ROM	1GB/128MB
S/N Ratio	>56dB
Effective Pixels	2592 (H) × 1944 (V)
Shutter Speed	Auto/Manual, 1/3 s–1/100000 s
White Balance	Auto/Natural/Street Lamp/Outdoor/Manual
Lens	7mm–35mm
Lens Type	Motorized
Mount Type	Board-in
Max. Aperture	F1.3 (Constant)
Aperture Type	Auto
Close Focus Distance	0.4 m–2.0 m
DORI Distance	W– 190m (Detect) 76m (Observe) 38m (Recognize) 19m (Identify) T– 620m (Detect) 248m (Observe) 124m (Recognize) 62m (Identify)
Gain Control (AGC)	Auto/Manual
Back Light Compensation	BLC / HLC / WDR(120dB)
Angle of View	H: 31°–9°, V: 23°–7° (2592 × 1944) ; H: 32°–9°, V: 18°–5° (2688 × 1520)
Video Compression	H.265, Smart H.264+, H.264, H.264B, H.264H, MJPEG (sub stream)
Encode Strategy	Instastream
Video Streaming	Main Stream: 2592 × 1944 (1 fps–20 fps) 2560 × 1440 (1 fps–25/30 fps) 1920 × 1080 (1 fps–50/60 fps) Sub Stream: D1 (1 fps–20/30 fps) D1 (1 fps–50 fps) Third Stream: 1080P (1 fps–17 fps)
Resolution	2592 × 1944/2688 × 1520/2560 × 1440/2304 × 1296/1080P (1920 × 1080)/1.3M (1280 × 960)/720P (1280 × 720)/D1 (704 × 576/704 × 480)/VGA (640 × 480)/CIF (352 × 288/352 × 240)
Motion detection	Off/On (4 Zone, Rectangle)

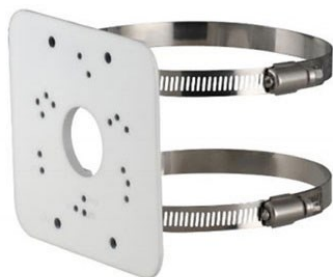
Feature	Specification
Privacy Mask	8 areas
ICR	Auto (ICR)/Color/B/W
ROI	Yes (4 areas)
Defog	Yes
Audio Input	1 Ch.
Audio Compression	G.711a, G.711Mu, G.726, G.723
Audio Output	1 Ch.
Face Detection	Face detection; track; optimization; snapshot; report high quality picture; face enhancement; face exposure; face attribute extract, 6 attributes and 8 expressions: Gender, age, glasses, expressions (anger, calm, happiness, sadness, disgust, surprise, confusion and fear), mask, beard; face matting setting: face, single inch photo; three snapshot methods: real-time snapshot, optimization snapshot, quality priority; face angle filter; optimization time setting
Perimeter Protection	Tripwire; intrusion; fast moving (the three functions support the classification and accurate detection of vehicle and human); loitering detection; people gathering; parking detection
People Counting	Support the counting of enter number, leave number, and pass number, and displaying and outputting yearly/monthly/daily reports. Support the counting of number in area, and 4 rules configuration. Count number of people or stay time and link alarm. Support queue management, and 4 rules configuration. Count number of people or stay time and link alarm.
Alarm Event	No SD card; SD card full; SD card error; network disconnection; IP conflict; illegal access; motion detection; video tampering; Defocus Detection; scene changing; intrusion; tripwire; abandoned object; missing object; fast moving; parking detection; loitering detection; people gathering; audio detection; people counting; face detection; People counting in area; Stay alarm; People No. exception detection; Queue Management
Alarm IN	1 channel In: 5mA 5V DC
Alarm Out	1 channel Out: 300mA 12V DC
Bit Rate	H.264: 32 Kbps–8192 Kbps; H.265: 19 Kbps–8192 Kbps
Protocol	IPv4; IPv6; HTTP;TCP; UDP; ARP; RTP; RTSP; RTCP; RTMP; SMTP; FTP; SFTP; DHCP; DNS; DDNS; QoS; UPnP; NTP; Multicast; ICMP; IGMP; NFS; SAMBA; PPPoE; SNMP; Bonjour, ONVIF (Profile S/Profile G/ Profile T), CGI, Milestone, Genetec, InstaOn
Smart Detection	Object Abandoned/Missing, Heat Map
Scene Self-adaptation (SSA)	Yes

Feature	Specification
Ethernet	RJ-45 (10/100Base-T)
SDK and API	Yes
Cyber Security	Video encryption; firmware encryption; configuration encryption; Digest; WSSE; account lock-out; security logs; IP/MAC filtering; generation and importing of X.509 certification; syslog; HTTPS; 802.1x; trusted boot; trusted execution; trusted upgrade
Event Trigger	Motion detection, Video tampering , Scene changing, Network disconnection , IP address conflict, Illegal Access, Storage anomaly
OTA (Online Device Upgrade)	Support
Cloud Health Monitoring System (HMS)	Support
User/Host	20 users
IR	IR Range of 80 Mtr., Smart IR
No of IR LEDs	3
Browser	IE (versions newer than IE8), Chrome, Firefox, Safari (versions newer than Safari 12)
Smart Phone	iPhone, iPad, Android Phone
Micro SD	NAS; FTP; SFTP; Micro SD card 256GB
Operating Temperature	-30° C to +60° C (-22° F to +140° F)/Less than 95% RH
Storage Temperature	-40° C to +60° C (-40° F to +140° F)
Power Source	DC 12V (±30%)/AC 24V (±30%)/PoE (802.3af)/ePoE
Power Consumption	4.9W (12V DC); 5.1W (24V AC); 5.2W (PoE)
Weatherproof Standard	IP67 & IK10
Dimension	Φ159.0 mm × 117.9 mm (6.26" × 4.64")
Casing	Metal
Weight	0.95 kg

Dimensions (mm/inch)



Accessories : Optional



CP-UA-B2P

Pole Mount

Company Name:

CP PLUS (Aditya Infotech Ltd.)

F-28 Okhla Industrial Area, Phase 1,

New Delhi 110020, INDIA

Contact Mail ID :- customer@cpplusworld.com