

CP-UNC-VE81ZL8E-VMDS

8MP WDR IR Network Vandal Dome Camera - 80Mtr.

- 1/1.8" 8Megapixel PS CMOS Image Sensor (1.411 cm)
- Smart H.265+/ H.265/ Smart H.264+/H.264 triple-stream encoding
- Max. outputs 8MP (3840×2160)@25fps/30fps
- WDR(120dB), Day/Night (ICR), 3D-DNR, Defog, EIS, ROI, AWB, AGC, BLC, HLC
- IR Range of 80 Mtrs.
- 8mm–32mm Motorized lens
- Support Starlight Technology
- With deep learning algorithm, it supports people counting, face detection, perimeter protection etc
- Support Micro SD Card, IP67, IK10, ePoE, PoE
- Mobile Software: iCMOB, gCMOB
- CMS Software: KVMS Pro



System Overview

Understanding the need of the hour in the security and surveillance industry, this series has been integrated with the starlight technology along with efficient and powerful deep-learning algorithms to make your life hugely easier. The numerous AI-based smart functions of this camera let you capture a face, protect the perimeter and even count people, greatly improving the accuracy of your video analysis. This camera also complies with international certification standards such as IP67 and IK10, as this camera is not just dust-proof and water-proof but also shock-proof and vandal-proof (which is given in selected models).

Functions

Face Detection

With the help of the deep learning algorithm that is used in this technology, people can easily be detected, tracked, recorded, and captured. It takes only a second to detect one human face. Face detection is useful in cameras to help with auto-focus. This technology is mainly used to identify the presence of a human face.



CP-UNC-VE81ZL8E-VMDS

8MP WDR IR Network Vandal Dome Camera - 80Mtr.

Functions

Wide Dynamic Range (WDR)

When a scene is partly dark and partly bright, that is the dynamic range that distorts images due to this difference in the lighting. WDR technology provides you balanced lighting for a clear and vivid image throughout the day. WDR technology can be installed at entry/exit points of any building structure, jewellery shops, outdoor location among so many other places.

Live Viewing

Unlike some, this technology enables you to record the picture feed but view it live as well at your convenience. On top of that, the advantages of high-resolution video recording are numerous.

Smart Analytical Support

Using an advanced algorithm, smart analytical technology lets you set a multitude of safety parameters and sends you alerts when any of those parameters have been compromised. Not just when there's an occurrence of tripwire or intrusion, but also in the cases of missing or abandoned objects.

True Day/Night (ICR)

When the scene is too dark, the image is captured by illuminating an infrared light through the camera onto the scene that greatly helps with making the scene visible for the lens. It delivers color images during the day and automatically switches to the monochrome feature as the scene darkens.

Regions of Interest

Regions of Interest (ROI) is a user defined feature that allows the operator to monitor specific areas of a scene while still maintaining overall situational awareness of less important areas.

gCMOB/ iCMOB

Designed to allow users to access and control live streaming from CP PLUS IP Cameras, DVRs/ NVRs and Video Door Phones, the CP PLUS gCMOB/ iCMOB application offers a host of features such as Easy GUI, up to 16 live viewing split-ups; InstaOn cloud support; Playback; digital zoom ins; two-way talk, and more.

About CP PLUS

The brand that is on its way to lead the world when it comes to the security and surveillance industry, CP PLUS, keeps bombarding the market with the most reliable range of products that have been designed carefully and methodically to automate the whole surveillance and security process, no matter how big your premises are.

It was the initiative to help the public in the area where they are the most vulnerable and to empower the sense of safety in our hearts that had conceptualized CP PLUS. And embarking on its mission to make the world a safer and more secure place has taken the brand's journey to unprecedented levels even when compared to international competitors.



CP-UNC-VE81ZL8E-VMDS

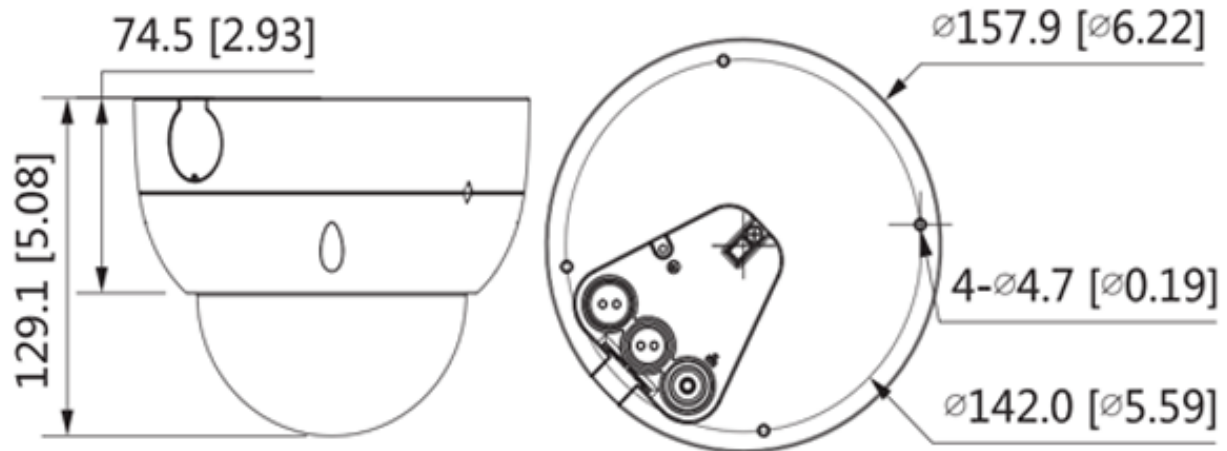
8MP WDR IR Network Vandal Dome Camera - 80Mtr.

Feature	Specification
Image Sensor	1/1.8" 8Megapixel progressive CMOS (1.411 cm)
Minimum Illumination	0.005 Lux@F1.6 (Color, 30IRE) 0.0005 Lux@F1.6 (B/W, 30IRE) 0 Lux (IR on)
RAM/ROM	2GB/4GB
S/N Ratio	>56dB
Effective Pixels	3840 (H) × 2160 (V)
Shutter Speed	Auto/Manual, 1/3 s–1/100000 s
White Balance	Auto/natural/street lamp/outdoor/manual/regional custom
Lens	8mm-32mm
Lens Type	Motorized
Mount Type	Module
Max. Aperture	F1.6 (Constant)
Iris Type	Auto
Close Focus Distance	W: 2.5 m (8.20 ft) T: 6 m (19.68 ft)
DORI Distance	W– 218m (Detect) 87m (Observe) 43m (Recognize) 21m (Identify) T– 580m (Detect) 232m (Observe) 116m (Recognize) 58m (Identify)
Gain Control (AGC)	Auto/Manual
Back Light Compensation	BLC / HLC / WDR(120dB)
Angle of View	Horizontal: 40° (W)–15° (T) Vertical: 23° (W)–9° (T) Diagonal: 45° (W)–17° (T)
Video Compression	Smart H.265+, Smart H.264+, H.265, H.264, H.264B, H.264H, MJPEG (sub stream)
Video Streaming	Main Stream: 3840 × 2160 (1–25/30 fps) Sub stream: 704 × 576 (1–25fps); 704 × 480 (1–30fps) Third stream: 1920 × 1080 (1–25/30 fps)
Resolution	8M (3840 × 2160)/6M (3072 × 2048/3072 × 1728)/5M (2592 × 1944)/4M (2688 × 1520)/3M (2048 × 1536/2304 × 1296)/1080p(1920 × 1080)/1.3M (1280 × 960)/720p(1280 × 720)/D1 (704 × 576/704 × 480)/VGA (640 × 480)/CIF (352 × 288/352 × 240)
Motion detection	Off/On (4 Zone, Rectangle)

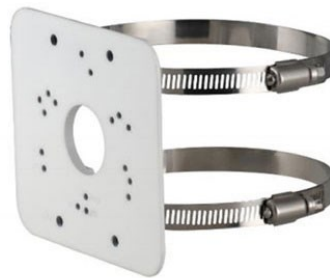
Feature	Specification
Privacy Mask	4 areas
ICR	Auto (ICR)/Color/B/W
ROI	Yes (4 areas)
Defog	Yes
Audio Input	1 channel (3-pin terminal with 2.54mm clearance; with audio cable).
Audio Compression	G.711a, G.711Mu, G.726, G.723
Audio Output	1 channel (3-pin terminal with 2.54mm clearance; with audio cable)
Face Detection	Face detection, track, priority, snapshot; Upload Optimized snapshot picture; Face enhancement, face exposure, face attribute extract, 6 attributes and 8 expressions: Gender, age, glasses, expressions (anger, sadness, disgust, fear, surprise, calm, happiness and confusion), Mouth mask, beard; Face matting setting: face, single inch photo; Three snapshot methods: real-time snapshot, priority snapshot, quality priority; Face angle filter Priority time setting; Support Duration Optimal, Non-living Filtering
Perimeter Protection	Tripwire, intrusion, fast moving (the three functions support the classification and accurate detection of vehicle and human); parking detection, loitering detection, and people gathering.
People Counting	Support tripwire number counting, people counting in area, and displaying and outputting yearly/monthly/daily reports. Support queue management, and displaying and outputting monthly/daily reports. Support 4 tripwire rules configuration, people counting in 4 areas, and 4 queue management functions
Alarm Event	No SD card; SD card full; SD card error; network disconnection; IP conflict; illegal access; motion detection; video tampering; tripwire; intrusion; fast moving; abandoned object; missing object; loitering detection; people gathering; parking detection; scene changing; audio detection; defocus detection; external alarm; face detection; people counting in area; stay alarm; people counting; people counting exception detection; safety exception, Queue Management
Alarm IN	3 channels in: 5mA 3V–5V DC
Alarm Out	2 channels out: 1,000mA 30V DC/500mA 50V DC
Bit Rate	H.264: 32 Kbps–16384 Kbps ; H.265: 12 Kbps–16384 Kbps
Protocol	IPv4; IPv6; HTTP; HTTPS; TCP; UDP; ARP; RTP; RTSP; RTCP; RTMP; SMTP; FTP; SFTP; DHCP; DNS; DDNS; QoS; UPnP; NTP; Multicast; ICMP; IGMP; NFS; SAMBA; PPPoE; 802.1x; SNMP; Bonjour; ONVIF (Profile S/Profile G/Profile T); CGI; Milestone; Genetec; P2P; RTMP
Smart Detection	Abandoned object, moving object
Scene Self-adaptation (SSA)	Yes

Feature	Specification
RS-485	1 (baud rate range: 1200 bps–115200 bps)
Ethernet	RJ-45 (10/100Base-T)
SDK and API	Yes
Cyber Security	Video encryption; firmware encryption; configuration encryption; Digest; WSSE; account lock-out; security logs; IP/MAC filtering; generation and importing of X.509 certification; syslog; HTTPS; 802.1x; trusted boot; trusted execution; trusted upgrade
Intelligent Search	Work together with Smart NVR to perform refine intelligent search, event extraction and merging to event videos.
User/Host	20 (Total bandwidth: 160 M.)
IR	IR Range of 80 Mtr., Smart IR
No of IR LEDs	3
Browser	IE: IE9 and later Chrome: Chrome 42 and later Firefox: Firefox 48.0.2 and later
Smart Phone	iPhone, iPad, Android Phone
Micro SD	FTP; Micro SD card (256 G); NAS; SFTP
Operating Temperature	-40° C to +60° C (-40° F to +140° F)/Less than 95% RH
Storage Temperature	-40° C to +60° C (-40° F to +140° F)
Power Source	12V DC/24V AC/PoE+ (802.3at); ePoE
Power Consumption	5.4W (12V DC); 5W(24V AC); 4.9W (PoE)
Weatherproof Standard	IP67, IK10, Anti-Corrosion Protection: NEMA 4X (optional)
Dimension	129.1 mm × Φ157.9 mm (5.08" × Φ6.22") (L × W × H)
Casing	Metal + Plastic
Weight	1500 g

Dimensions (mm/inch)



Accessories : Optional



CP-UA-B2P

Pole Mount